



Linearführung mit Käfigzwangssteuerung Typ RSDE – ACC

- Kein Käfigwandern bei jeder beliebigen Einbaulage
- Schnelle Oszillationsbewegungen sind möglich
- Minimaler Reibungswiderstand $< 0.01 \text{ N}$
- Max. Beschleunigung $a > 150 \text{ m/s}^2$
- Optimaler Einsatz in Kombination mit Linearmotoren
- Lieferbare Größen (Kreuzrollendurchmesser) 2/3/4/6/9
- Die Zahnstange ist integriert in der Prismenführung
- Austauschbar mit den gängigsten Linearführungen (R3/R4/R6/R9)
- UHV tauglich bis 10 e-9 mbar

Gpm – Antriebselemente

Dipl. – Ing. Günter Pohlmann

Zur Alten Glashütte 2

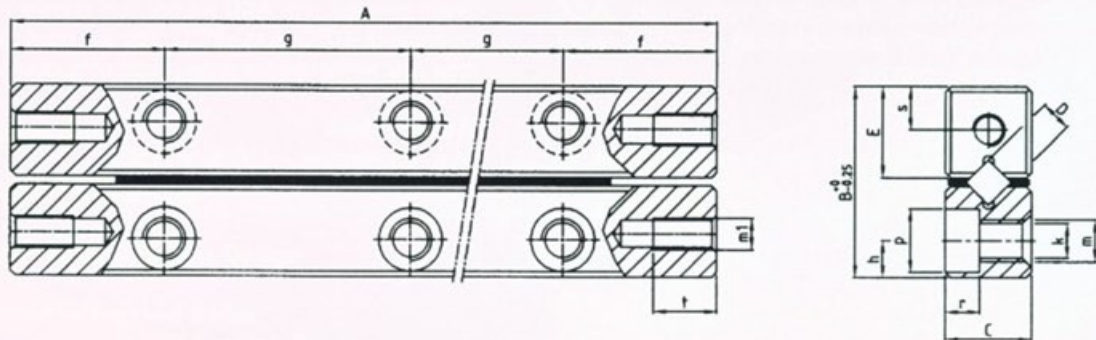
D- 50127 Bergheim

Tel.: ++49 (0) 22 71/97 007

Fax: ++49 (0) 22 71/97 732

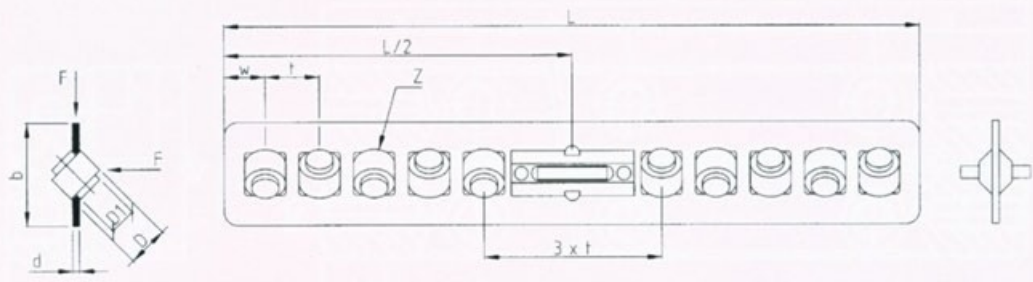
E-Mail: info@gpm-Antriebselemente.de

Internet: www.gpm-Antriebselemente.de



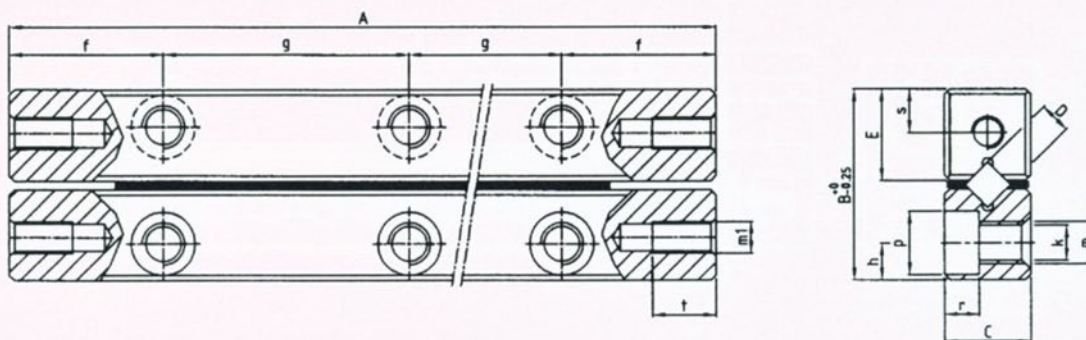
(one set consists of: 4 guideways + 2 roller cages, both with ACC option)

Part no.	Main dimensions					Mounting holes							Endholes		
	A	B	C	E	D	f	g	h	k	m	p	r	m1	s	t
RSDE- 3050 x 6RE - ACC	50					1 x 25									
RSDE- 3075 x 8RE - ACC	75					2 x 25									
RSDE- 3100 x 12RE - ACC	100					3 x 25									
RSDE- 3125 x 14RE - ACC	125					4 x 25									
RSDE- 3150 x 18RE - ACC	150					5 x 25									
RSDE- 3175 x 22RE - ACC	175	18	8	8.6	3	12.5	6 x 25	3.5 ^{+0.2}	3.2	M4	6	3.2	M3	4.1	5.5
RSDE- 3200 x 26RE - ACC	200					7 x 25									
RSDE- 3225 x 30RE - ACC	225					8 x 25									
RSDE- 3250 x 34RE - ACC	250					9 x 25									
RSDE- 3275 x 36RE - ACC	275					10 x 25									
RSDE- 3300 x 40RE - ACC	300					11 x 25									
RSDE- 4080 x 6RE - ACC	80					1 x 40									
RSDE- 4120 x 10RE - ACC	120					2 x 40									
RSDE- 4160 x 14RE - ACC	160					3 x 40									
RSDE- 4200 x 18RE - ACC	200					4 x 40									
RSDE- 4240 x 22RE - ACC	240	22	11	10.6	4	20	5 x 40	4.5 ^{+0.2}	4.2	M5	7.5	4.1	M3	5	7
RSDE- 4280 x 26RE - ACC	280					6 x 40									
RSDE- 4320 x 30RE - ACC	320					7 x 40									
RSDE- 4360 x 34RE - ACC	360					8 x 40									
RSDE- 4400 x 38RE - ACC	400					9 x 40									



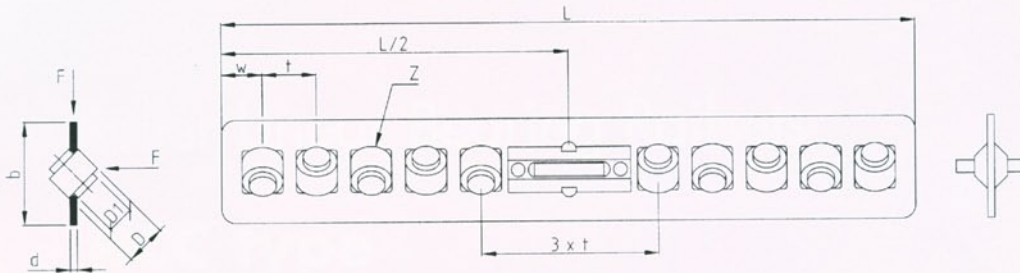
Weight in g	Dyn. load rating F (N)	Roller cage						Stroke	Part no.	
		b	d	D1	t	w	Z no. of rollers			L
116	4704						6	40	20	RSDE- 3050 x 6RE - ACC
161	6272						8	50	50	RSDE- 3075 x 8RE - ACC
210	9408						12	70	60	RSDE- 3100 x 12RE - ACC
259	10976						14	80	90	RSDE- 3125 x 14RE - ACC
310	14112	7	0.5	2	5	2.5	18	100	100	RSDE- 3150 x 18RE - ACC
365	17248						22	120	110	RSDE- 3175 x 22RE - ACC
405	20384						26	140	120	RSDE- 3200 x 26RE - ACC
457	23520						30	160	130	RSDE- 3225 x 30RE - ACC
507	26656						34	180	140	RSDE- 3250 x 34RE - ACC
555	28224						36	190	170	RSDE- 3275 x 36RE - ACC
605	31360						40	210	180	RSDE- 3300 x 40RE - ACC
317	9420						6	57	48	RSDE- 4080 x 6RE - ACC
475	15700						10	85	72	RSDE- 4120 x 10RE - ACC
630	21980						14	113	96	RSDE- 4160 x 14RE - ACC
788	28260						18	141	120	RSDE- 4200 x 18RE - ACC
945	34540	9	0.5	3	7	4	22	169	144	RSDE- 4240 x 22RE - ACC
1112	40820						26	197	168	RSDE- 4280 x 26RE - ACC
1259	47100						30	225	192	RSDE- 4320 x 30RE - ACC
1416	53380						34	253	216	RSDE- 4360 x 34RE - ACC
1573	59660						38	281	240	RSDE- 4400 x 38RE - ACC

Units: mm



(one set consists of: 4 guideways + 2 roller cages, both with ACC option)

Part no.	Main dimensions					Mounting holes							Endholes		
	A	B	C	E	D	f	g	h	k	m	p	r	m1	s	t
RSDE-6100 x 6RE-ACC	100					1 x 50									
RSDE-6150 x 10RE-ACC	150					2 x 50									
RSDE-6200 x 12RE-ACC	200					3 x 50									
RSDE-6250 x 16RE-ACC	250					4 x 50									
RSDE-6300 x 20RE-ACC	300	31	15	14.9	6	25	5 x 50	9 ^{+0.2}	5.2	M6	9.5	5.2	M5	7	8.5
RSDE-6350 x 24RE-ACC	350					6 x 50									
RSDE-6400 x 28RE-ACC	400					7 x 50									
RSDE-6450 x 32RE-ACC	450					8 x 50									
RSDE-6500 x 36RE-ACC	500					9 x 50									
RSDE-9200 x 8RE-ACC	200					1 x 100									
RSDE-9300 x 12RE-ACC	300					2 x 100									
RSDE-9400 x 16RE-ACC	400	44	22	21.3	9	50	3 x 100	9 ^{+0.2}	6.8	M8	11	6.2	M6	9.9	10
RSDE-9500 x 22RE-ACC	500					4 x 100									
RSDE-9600 x 26RE-ACC	600					5 x 100									



Weight in g	Dyn. load rating F (N)	Roller cages					Z no. of rollers	L	Stroke	Part no.
		b	d	D1	t	w				
650	21180						6	75	56	RSDE- 6100 x 6RE-ACC
968	35300						10	111	84	RSDE- 6150 x 10RE-ACC
1291	42360						12	129	148	RSDE- 6200 x 12RE-ACC
1610	56480						16	165	176	RSDE- 6250 x 16RE-ACC
1936	70600	3.5	0.8	4.4	9	6	20	201	204	RSDE- 6300 x 20RE-ACC
2254	84720						24	237	232	RSDE- 6350 x 24RE-ACC
2578	98840						28	273	260	RSDE- 6400 x 28RE-ACC
2910	112960						32	309	288	RSDE- 6450 x 32RE-ACC
3218	127080						36	345	316	RSDE- 6500 x 36RE-ACC
2774	69040						8	144	120	RSDE- 9200 x 8RE-ACC
4162	103560						12	200	208	RSDE- 9300 x 12RE-ACC
5547	138080	19	1	7	14	9	16	256	296	RSDE- 9400 x 16RE-ACC
6933	189860						22	340	328	RSDE- 9500 x 22RE-ACC
8319	224380						26	396	416	RSDE- 9600 x 26RE-ACC

Units: mm