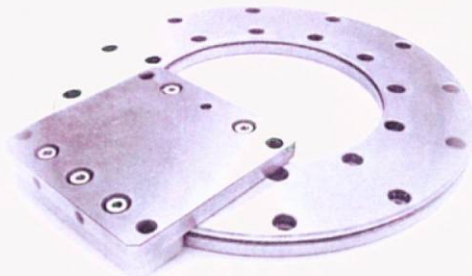


## Frictionless Ringslides

RPM



Play-free pre-loaded circular movement, high running accuracy, reliability and a light and smooth motion are the main features of the RPM-frictionless ringslide. The compact size also makes a low construction possible. This innovating design is based on state-of-the-art technology developed by the specialists of PrecisieMetaal – BEARINGS.

### Materials

Trackrail: stainless steel No. 1.4034, through-hardened  
54 – 57 Hrc.

Slide: stainless steel No. 1.2316.

### Features

- 5 ringdiameters and can be delivered as closed ring or in segments, they can be supplied with several slides.
- Incorporates ball recirculating elements. Two of these are generally fitted to each slide unit. One is fixed, and the other is adjustable. By using the adjusting-screws play during circular movement can be eliminated.
- The slide is not hardened, this allows the user to add attachment holes.
- All mounting surfaces are finished by precision grinding.

### Notes by Ordering

Ringslides RPM will only be delivered as ready-to-install set. One set consists of:

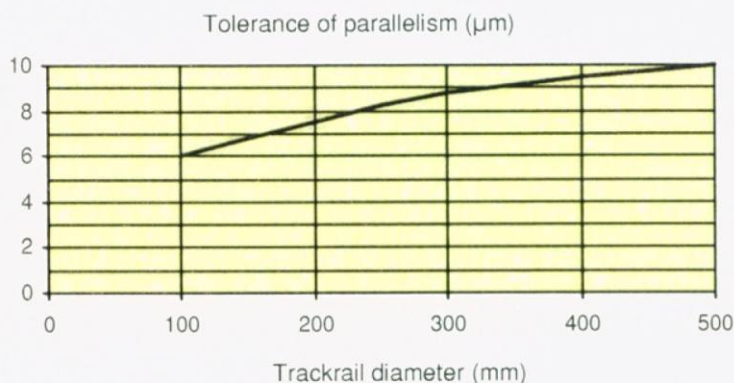
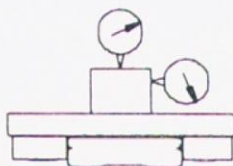
- 1 pce. Trackrail type RPM
- 1 pce. Slide type RPMT
- 2 pcs. Recirculating elements type RPME  
(1 inside + 1 outside)

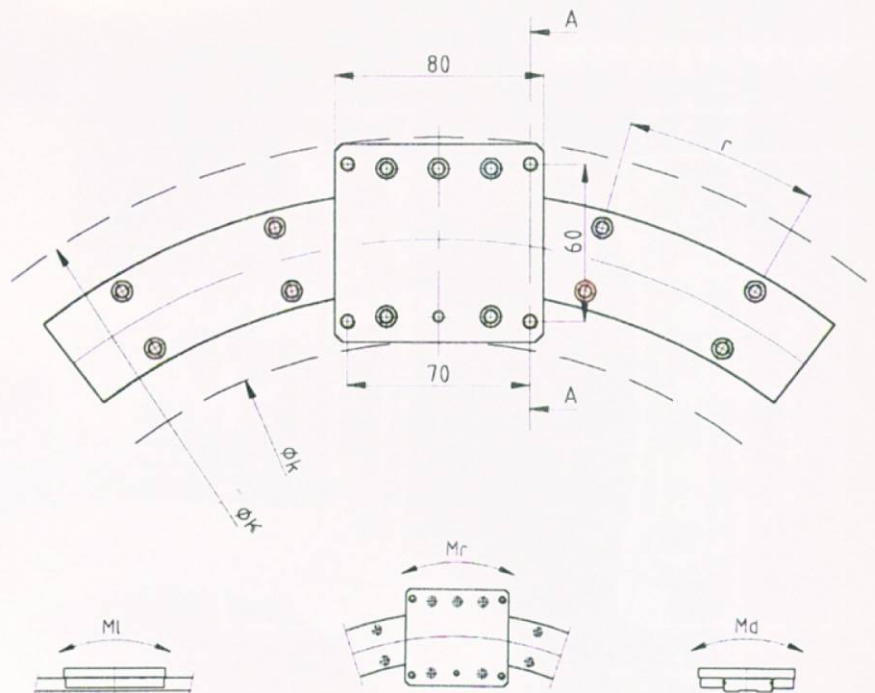
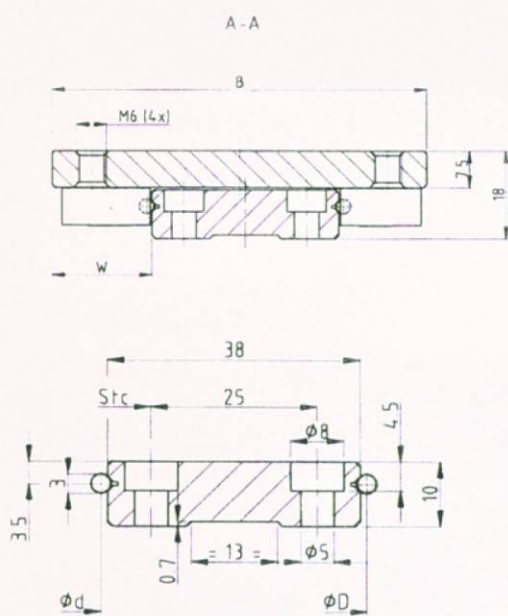
### Order example

- 1 pce. Trackrail type RPM 3-22/30-270<sup>o</sup>
- 2 pcs. Slides type RPMT 3-22/30
- 4 pcs. Recirculating elements type RPME 3-22/30

### Running accuracy of Ringslide RPM

For normal up to ultra high precision equipments PM offers the ringslides in a standard accuracy as next placed index shows. On request higher accuracies can be supplied.

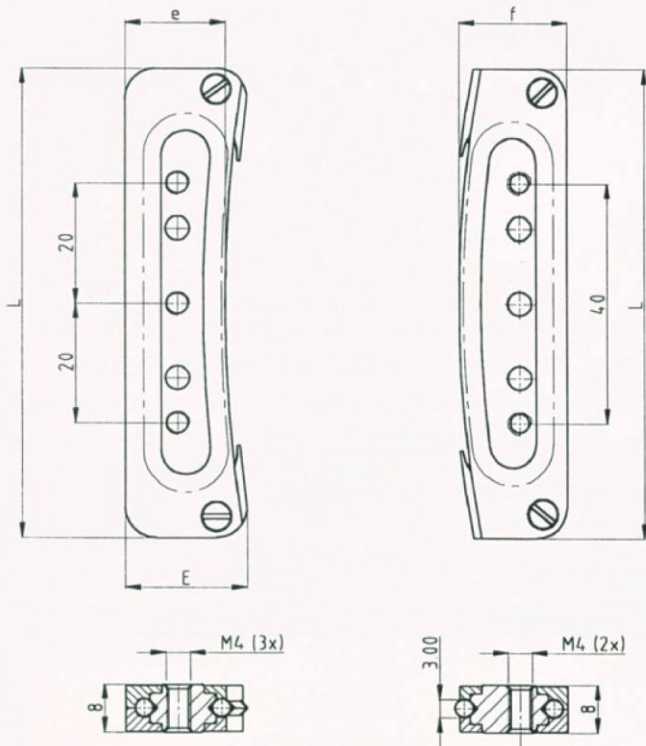




Type	ØD mm	Ød	Stc.	Trackrail r	ØK	Øk	Slide B	W	Load C in N	MI in Nm	Mr in Nm	Md in Nm
RPM 3-10/18	180	100	115	30°	224	51	79					
RPM 3-12/20	200	120	135	30°	243	73	79					
RPM 3-22/30	300	220	235	15°	342	179	76	20	720	3.8	2.6	14.4
RPM 3-32/40	400	320	335	15°	440.5	280.5	76					
RPM 3-42/50	500	420	435	15°	381.5	381.5	76					

Note: specifications and data are believed to be accurate and reliable. However, in the interest of technical progression, PM reserves the right to modify without prior notice.

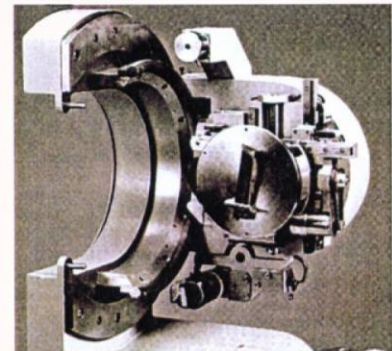
## Recirculating Elements



Type	mm L	e	f	E
RPME 3-10/18		14.45	23.40	22
RPME 3-12/20		14.80	21.95	
RPME 3-22/30	78	15.70	19.20	20
RPME 3-32/40		15.95	18.30	
RPME 3-42/50		16	17.85	

### Application Examples

Due to the high running accuracy and compact size RPM ringslides are often used in wafer inspection equipments and materials research diffractometer systems where precision angular positioning are required.



## GPM Antriebselemente

Dipl. Ing. Günter Pohlmann  
 Zur Alten Glashütte 2  
 50127 Bergheim  
 Telefon (02271)97007  
 Téléfax (02271)97732

Email [info@gpm-Antriebselemente.de](mailto:info@gpm-Antriebselemente.de)  
 Internet [www.gpm-Antriebselemente.de](http://www.gpm-Antriebselemente.de)